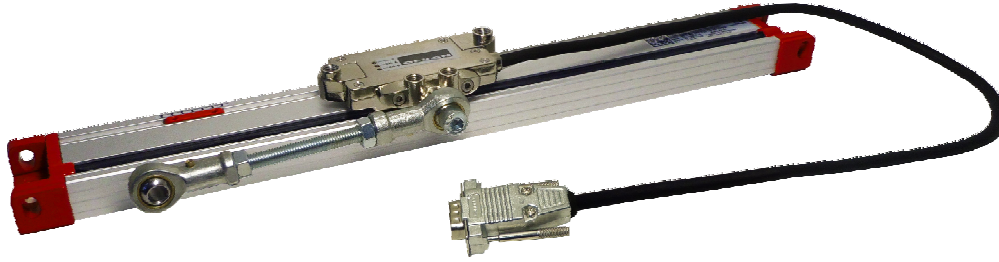


HIGH PRECISION, HIGH PERFORMANCE PRESS BRAKE SCALE

MODEL **MPS**

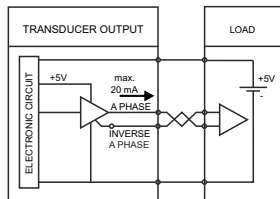


TECHNICAL FEATURES

SYSTEM OF MEASUREMENT	Magnetic incremental non-contact
RESOLUTION	5 micron
MEASUREMENT STROKE	150 - 170 - 220 - 270 - 320 - 370 - 420 - 470 - 520 - 570 - 620 - 670 - 720(mm)
OUTPUT SIGNALS	A, \bar{A} , B, \bar{B} , Z, \bar{Z}
OUTPUT SIGNAL TYPE	TTL Linedriver (With short circuit protection)
SUPPLY VOLTAGE	5V DC
ELECTRICAL CONNECTION	DB9 connector with 1m cable
WORKING TEMPERATURE	-20°C ... 80°C
MAX. SPEED	< 3 m/s
CASE MATERIAL	Anodized aluminium
PROTECTION CLASS	IP 66

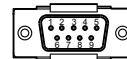
ELECTRICAL FEATURES

STANDART RS422 LINE DRIVER OUTPUT CIRCUIT

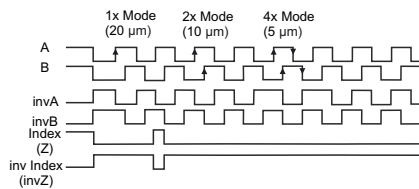


Supply Voltage : 5 VDC
Output Voltage : 5 VDC

PIN CONFIGURATION



QUADRATURE OUTPUT



G Type Electrical Connection

Pin 1 : Ch A
Pin 2 : Ch A inv.
Pin 3 : Ch Z
Pin 4 : Ch B
Pin 5 : Ch B inv.
Pin 6 : Ch Z inv.
Pin 7 : +V
Pin 8 : GND
Pin 9 : Earth

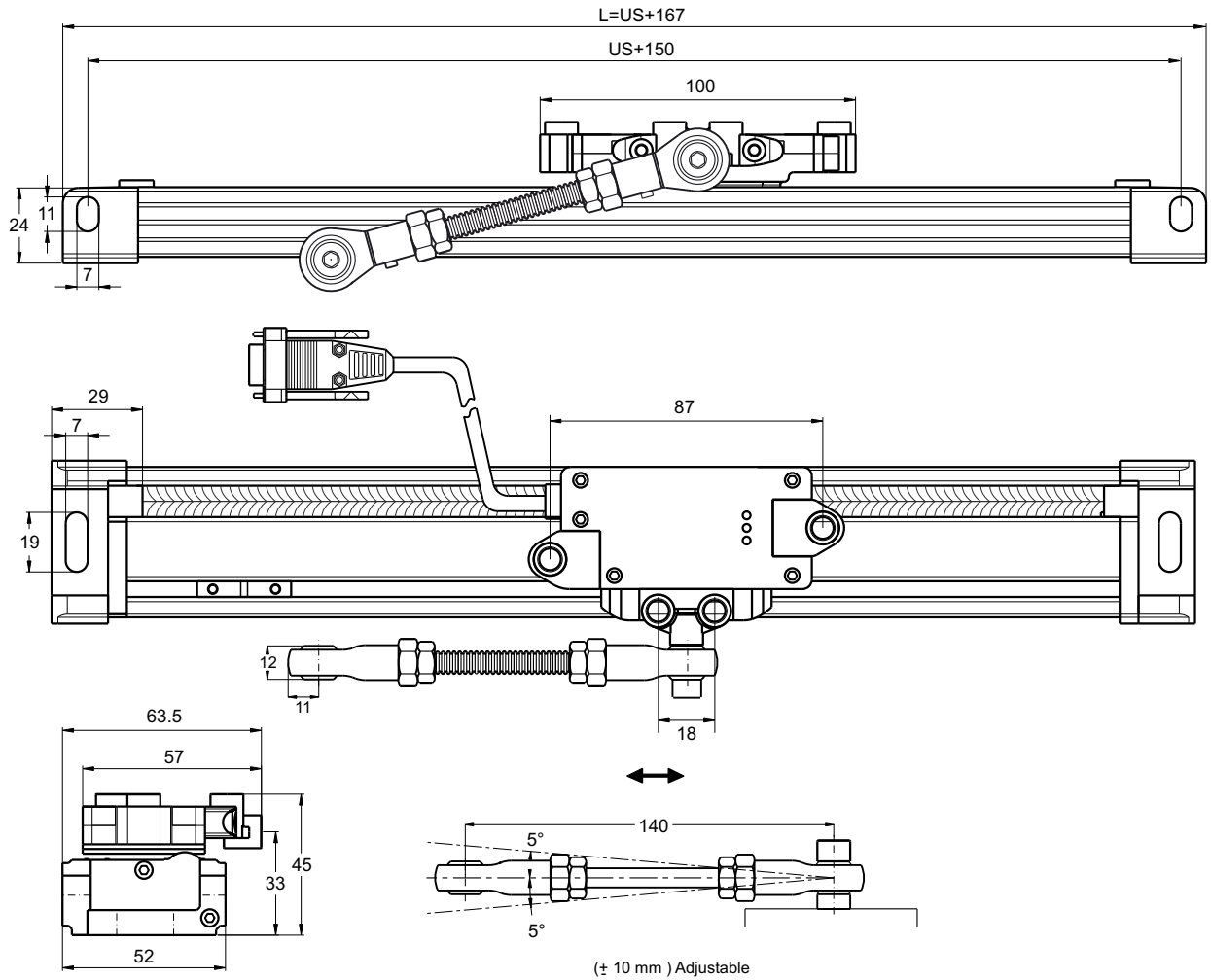
H Type Electrical Connection

Pin 1 : Ch Z
Pin 2 : Ch B
Pin 3 : Ch A
Pin 4 : NC
Pin 5 : GND
Pin 6 : Ch Z inv.
Pin 7 : Ch B inv.
Pin 8 : Ch A inv.
Pin 9 : +V

ORDERING PROCEDURE

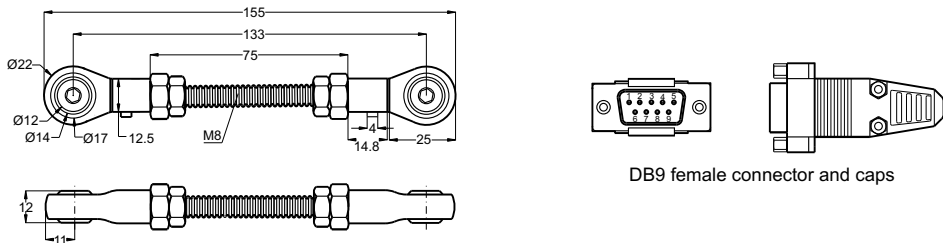
MPS	270R	T20	LD	4Z	5V	9G
model	measurement stroke	resolution	output signal type	output signals	supply voltage	electrical connections
MPS	150 - 170 - 220 - 270 320 - 370 - 420 470 - 520 - 570 - 620 670 - 720mm	T20 : 5 micron	LD : TTL Linedriver (A, \bar{A} , B, \bar{B} , Z, \bar{Z})	4Z : Adjustable reference	5V : 5 Volt DC	9G : G type electrical connection 9H : H type electrical connection

MECHANICAL FEATURES



MPS (mm)	150	170	220	270	320	370	420	470	520	570	620	670	720
US (USEFULL STROKE)	153	173	223	273	323	373	423	473	523	573	623	673	723
MS (MECHANICAL STROKE)	178.5	198.5	248.5	298.5	348.5	398.5	448.5	498.5	548.5	598.5	648.5	698.5	748.5
L (TOTAL LENGHT)	317	337	387	437	487	537	587	637	687	737	787	837	887

ACCESSORIES



WARNINGS