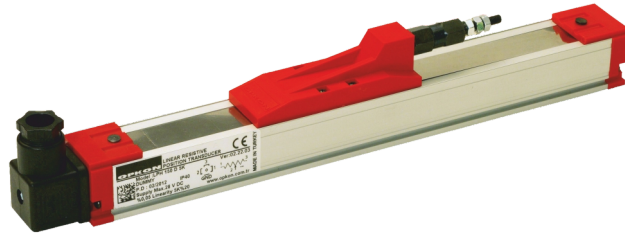


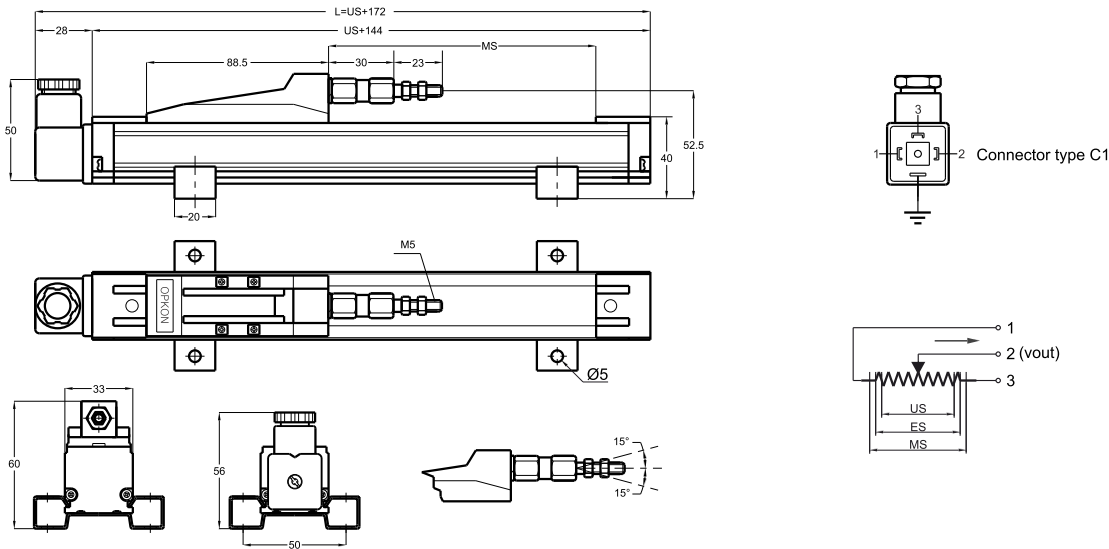
## Linear potentiometers Standard series

- + Measuring range 100 - 1500 mm
- + Long mechanical life 100 million cycles
- + Excellent repeatability <0,01 mm
- + Infinite resolution
- + 5 KOhm or 10 KOhm



### Technical specifications

Measurement stroke	100 to 1500 mm
Linearity	± %0,05
Repeatability	< 0,01 mm
Resolution	Infinite
Resistance	5 KOhm or 10 KOhm (20KOhm/1500 mm)
Resistance tolerance	± %20
Load resistance	100 KOhm min.
Recommended cursor current	< 1 µA
Permissible applied voltage	28 VDC max.
Electrical connections	4 pin connector
Displacement speed	< 1,5 m/s
Mechanical life	100 million cycles
Case dimensions	33 mm x 33 mm
Case material	Anodized aluminium
Mechanical fixing	Variable brackets
IP degree	IP 40 / If mounted upside down IP 53
Operating temperature	-20°C ... +80°C
Storage temperature	-30°C ... +90°C



LPH (mm)	100	125	130	150	175	200	225	250	275	300	325	350	375	400	450	500	550	600	650	700	750	800	850	900	1000	1250	1500
US (Usefull Stroke)	100	125	130	150	175	200	225	250	275	300	325	350	375	400	450	500	550	600	650	700	750	800	850	900	1000	1250	1500
MS (Mechanical Stroke)	104	129	134	154	179	204	229	254	279	304	329	354	379	404	454	504	554	604	654	704	754	804	854	904	1004	1254	1504
L (Total Length)	272	297	302	322	347	372	397	422	447	472	497	522	547	572	622	672	722	772	822	872	922	972	1022	1072	1172	1422	1672

Model	Measurement stroke (mm)	Linearity (%)	Resistance (KOhm)	Connector / Cable
(example) LPH	500	D	5K	C1
LPH	100 ... 1500 mm	D : ± %0,05 (standard)	5K : 5 KOhm 10K : 10 KOhm 20K : 20 KOhm	C1 : 4 pin connector