

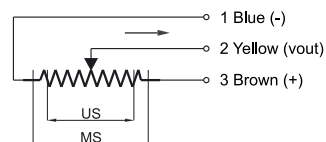
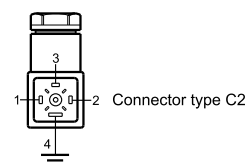
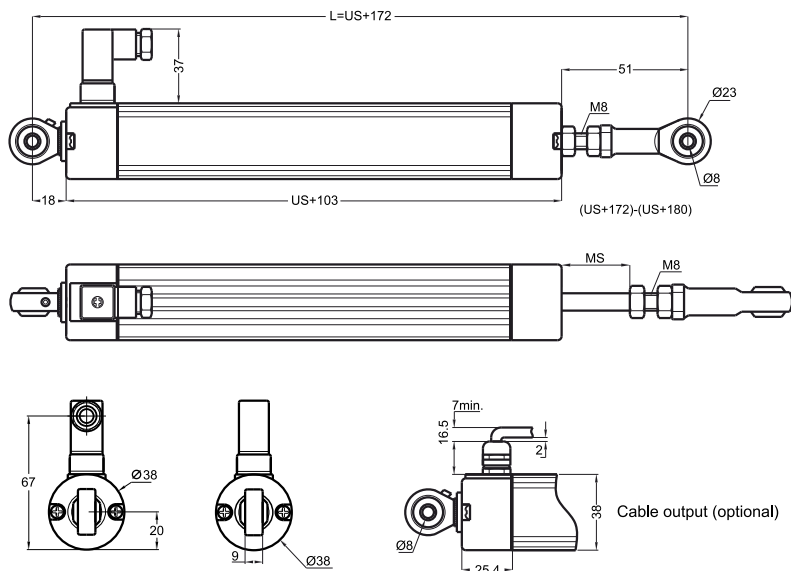
Linear potentiometers Standard series

- + Measuring range 50 - 700 mm
- + Long mechanical life 100 million cycles
- + Excellent repeatability <0.01 mm
- + Infinite resolution
- + 5 KOhm or 10 KOhm



Technical specifications

Measurement stroke	50 to 700 mm
Linearity	± %0,05
Repeatability	< 0,01 mm
Resolution	Infinite
Resistance	5 KOhm or 10 KOhm
Resistance tolerance	± %20
Load resistance	100 KOhm min.
Recommended cursor current	<1 µA
Permissible applied voltage	28 VDC max.
Electrical connections	4 pin connector (standard)
Displacement speed	< 5 m/s
Mechanical life	100 million cycles
Case dimensions	Ø38 mm
Case material	Anodized aluminium
Rod material	Stainless steel
Rod diameter	Ø10 mm
Mechanical fixing	Ball joints on the both side
IP degree	IP 65
Operating temperature	-20°C ... +80°C
Storage temperature	-30°C ... +90°C



LPC (mm)	50	75	100	125	130	150	175	200	225	250	275	300	325	350	375	400	450	500	550	600	650	700
US (Usefull Stroke)	50	75	100	125	130	150	175	200	225	250	275	300	325	350	375	400	450	500	550	600	650	700
MS (Mechanical Stroke)	55	80	105	130	135	155	180	205	230	255	280	305	330	355	380	405	455	505	555	605	655	705
L (Total Length)	222	247	272	297	302	322	347	372	397	422	447	472	497	522	547	572	622	672	722	772	822	872

Model	Measurement stroke (mm)	Linearity (%)	Resistance (KOhm)	Connector / Cable
(example) LPC	500	D	5K	C2
LPC	50 ... 700 mm	D : ± %0,05 (standard)	5K : 5 KOhm 10K : 10 KOhm	C2 : 4 pin connector 1M : 1 meter cable 2M5 : 2,5 meter cable