

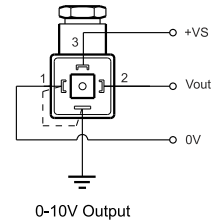
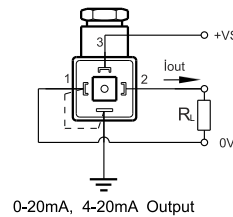
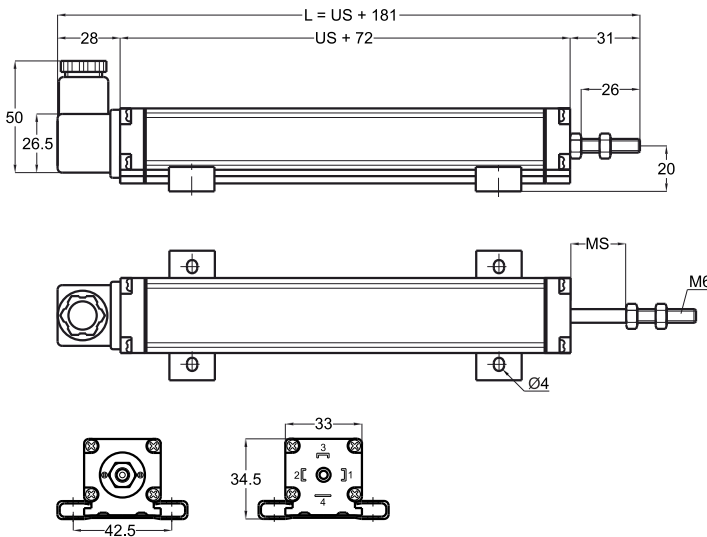
Linear potentiometers Standard series Internal Voltage / Current Conditioner Circuit

- + Internal electronic circuit
- + Measuring range 30 - 1250 mm
- + Output 4-20mA, or 0-20mA or 0-10V
- + Very stable output signal
- + Best solution for automation systems
- + Excellent repeatability



Technical specifications

Measurement stroke	30 to 1250 mm
Linearity	± %0,05
Repeatability	< 0.01 mm
Resolution	Infinite
Output	4-20mA, 0-20mA or 0-10V
Permissible applied voltage	15 - 30 VDC
Electrical connections	4 pin connector
Displacement speed	< 5 m/s
Mechanical life	100 million cycles
Case dimensions	33 mm x 33 mm
Case material	Anodized aluminium
Rod diameter	Ø6 mm
Rod material	Stainless steel
Mechanical fixing	Variable brackets
IP degree	IP 65
Operating temperature	-20°C ... +80°C
Storage temperature	-30°C ... +90°C



ELPT (mm)	30	50	75	100	125	130	150	175	200	225	250	275	300	325	350	375	400	450	500	550	600	650	700	750	800	850	900	1000	1250
US (Usefull Stroke)	30	50	75	100	125	130	150	175	200	225	250	275	300	325	350	375	400	450	500	550	600	650	700	750	800	850	900	1000	1250
MS (Mechanical Stroke)	34	54	79	104	129	134	154	179	204	229	254	279	304	329	354	379	404	454	504	554	604	654	704	754	804	854	904	1004	1254
L (Total Length)	211	231	256	281	306	311	331	356	381	406	431	456	481	506	531	556	581	631	681	731	781	831	881	931	981	1031	1081	1181	1431

Model	Measurement stroke (mm)	Linearity (%)	Output	Connector / Cable
(example) ELPT	500	D	V10	C1
ELPT	30 ... 1250 mm	D : ± %0,05 (standard)	V10 : 0-10V I 04 : 4-20mA I 20 : 0-20mA	C1 : 4 pin connector