

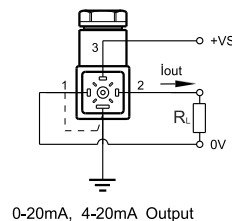
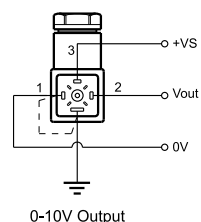
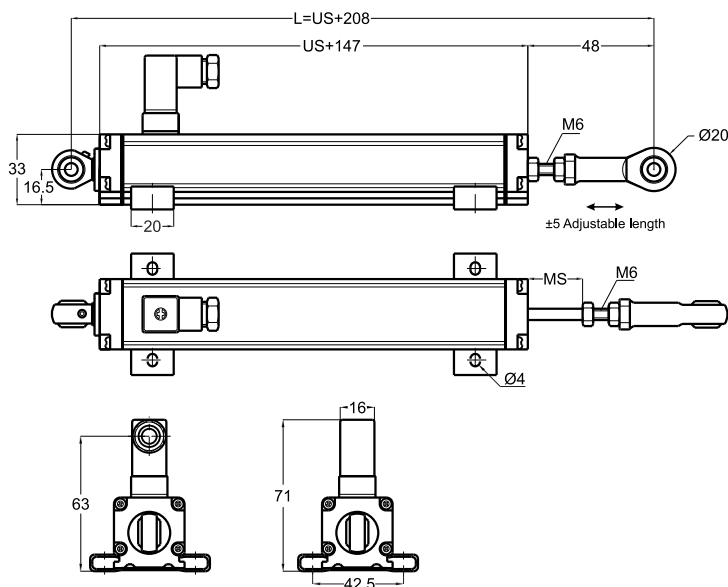
## Linear potentiometers Standard series Internal Voltage / Current Conditioner Circuit

- + Internal electronic circuit
- + Measuring range 50 - 600 mm
- + Output 4-20mA, 0-20mA or 0-10V
- + Very stable output signal
- + Best solution for automation systems
- + Excellent repeatability



### Technical specifications

Measurement stroke	50 to 600 mm
Linearity	± %0,05
Repeatability	< 0.01mm
Resolution	Infinite
Output	4-20mA, 0-20mA or 0-10V
Permissible applied voltage	15 - 30 VDC
Electrical connections	4 pin connector
Displacement speed	< 5 m/s
Mechanical life	100 million cycles
Case dimensions	33 mm x 33 mm
Case material	Anodized aluminium
Rod diameter	Ø6 mm
Rod material	Stainless steel
Mechanical fixing	Ball joints on the both side
IP degree	IP 65
Operating temperature	-20°C ... +80°C
Storage temperature	-30°C ... +90°C



ELPM (mm)	50	75	100	125	130	150	175	200	225	250	275	300	325	350	375	400	450	500	550	600
US (Usefull Stroke)	50	75	100	125	130	150	175	200	225	250	275	300	325	350	375	400	450	500	550	600
MS (Mechanical Stroke)	53	78	103	128	133	153	178	203	228	253	278	303	328	353	378	403	453	503	553	603
L (Total Length)	258	283	308	333	338	358	383	408	433	458	483	508	533	558	583	608	658	708	758	808

Model	Measurement stroke (mm)	Linearity (%)	Output	Connector / Cable
(example) ELPM	500	D	V10	C2
ELPM	50 ... 600mm	D : ± %0,05 (standard)	V10 : 0-10V I 04 : 4-20mA I 20 : 0-20mA	C2 : 4 pin connector