

**EN60350-2 标准锅**

本不锈钢标准锅符合 EN60350-2: 2013 家用电热灶具-第 2 部份性能测试锅标准要求, 锅壁采用材料为不锈钢 1.4301, 锅底采用材料为不锈钢 1.4016, 带铝锅盖。为多家国际检测认证机构实验室、知名家电企业实验室所选用。

Table Z3 – Sizes of standardised cookware and water amounts

Diameter of the cookware bottom (outside) mm	Diameter of the lid mm	Lid hole circle diameter mm	Number of holes on the circle	Total cookware height (outside) mm	Flatness of cookware bottom mm	Water load g	Cooking zone size category mm	Standardised cookware categories
120 ± 0,5	130 ± 1	80 ± 1	7	125 ± 0,5	≥ 0 < 0,075	650	≥ 100 < 130	A
150 ± 0,5	165 ± 1	110 ± 1	11	125 ± 0,5	≥ 0 < 0,075	1 030	≥ 130 < 160	
180 ± 0,5	200 ± 1	140 ± 1	16	125 ± 0,5	≥ 0 < 0,075	1 500	≥ 160 < 190	B
210 ± 0,5	230 ± 1	170 ± 1	22	125 ± 0,5	≥ 0 < 0,1	2 050	≥ 190 < 220	C
240 ± 0,5	265 ± 1	200 ± 1	29	125 ± 0,5	≥ 0 < 0,1	2 700	≥ 220 < 250	
270 ± 0,5	300 ± 1	230/210 ^a ± 1	18/18 ^a	125 ± 0,5	≥ 0 < 0,15	3 420	≥ 250 < 280	D
300 ± 0,5	330 ± 1	260/210 ^a ± 1	23/22 ^a	125 ± 0,5	≥ 0 < 0,15	4 240	≥ 280 < 310	
330 ± 0,5	365 ± 1	290/270 ^a ± 1	27/27 ^a	125 ± 0,5	≥ 0 < 0,15	5 140	≥ 310 ≤ 330	

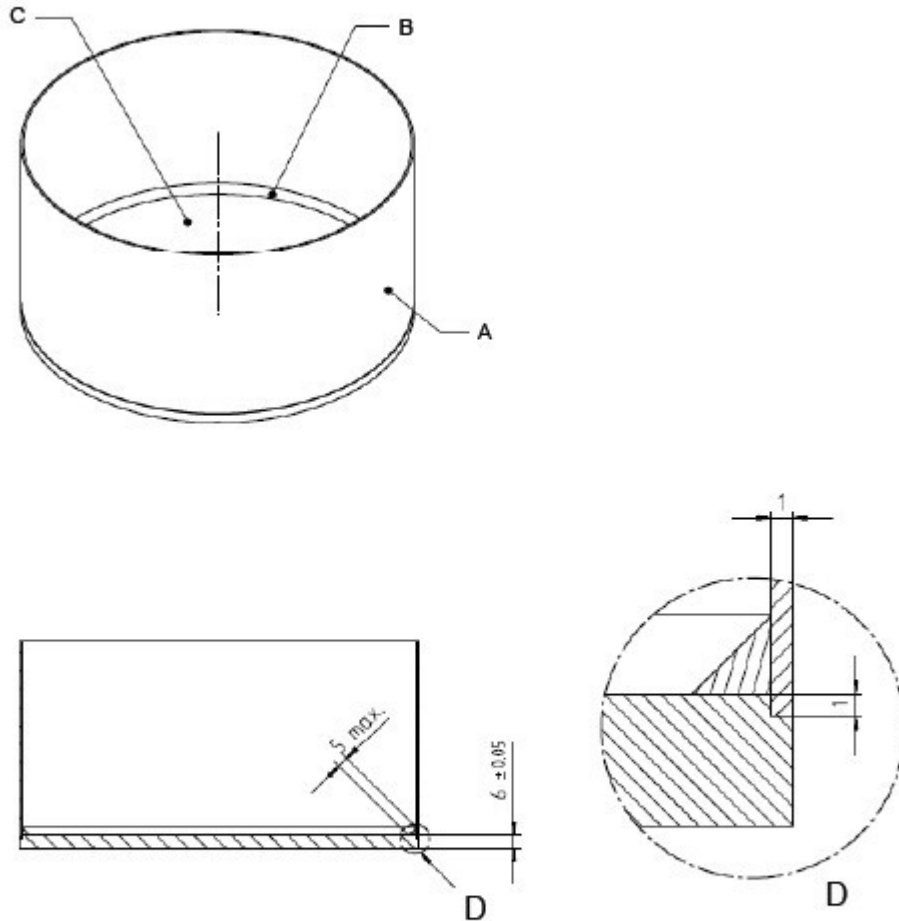
^a Number of holes are arranged on two hole circles.



EN 60350-2:2013

- 12 -

Dimensions in millimetres

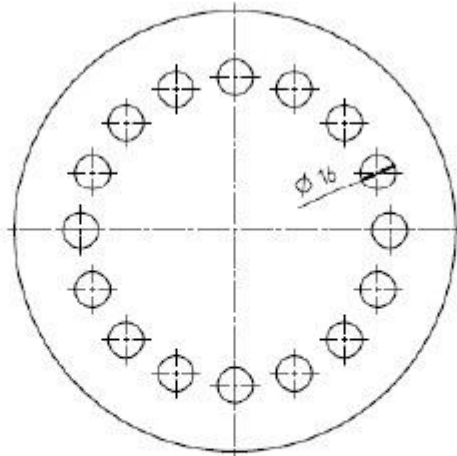


Key

- A side wall
- B glue heat resistant
- C bottom plate
- D detail of the edge

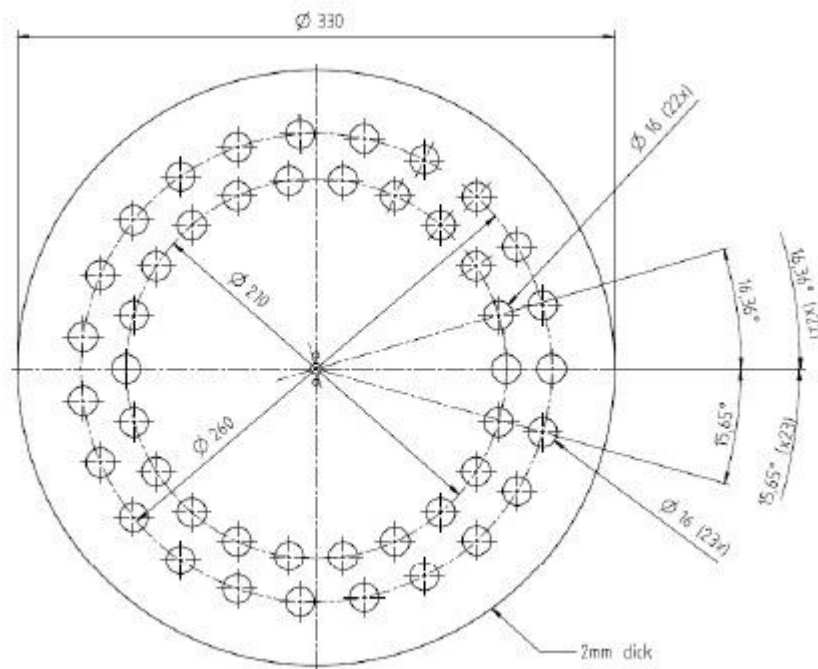


Dimensions in millimetres



b) Example lid for $\phi 180$ mm cookware

Dimensions in millimetres



c) Example lid for $\phi 300$ mm cookware"

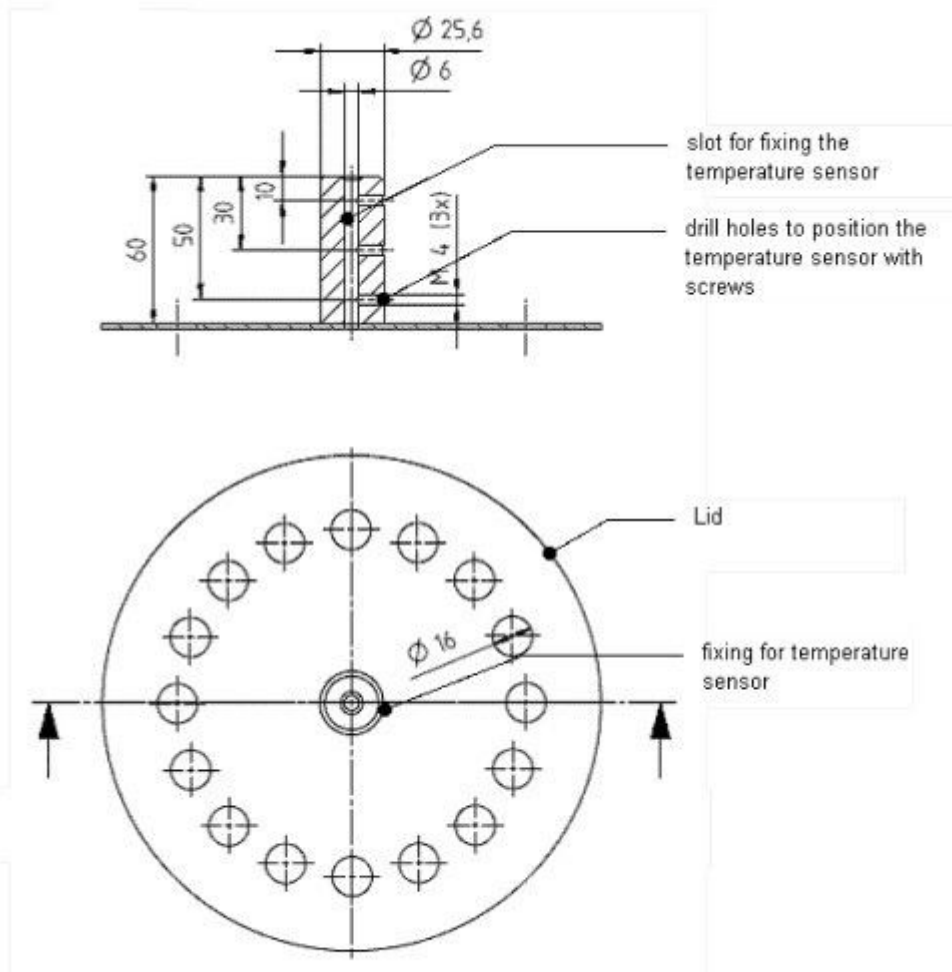


Figure ZB.1 – Position of the temperature measurement instrument





部份实物图片